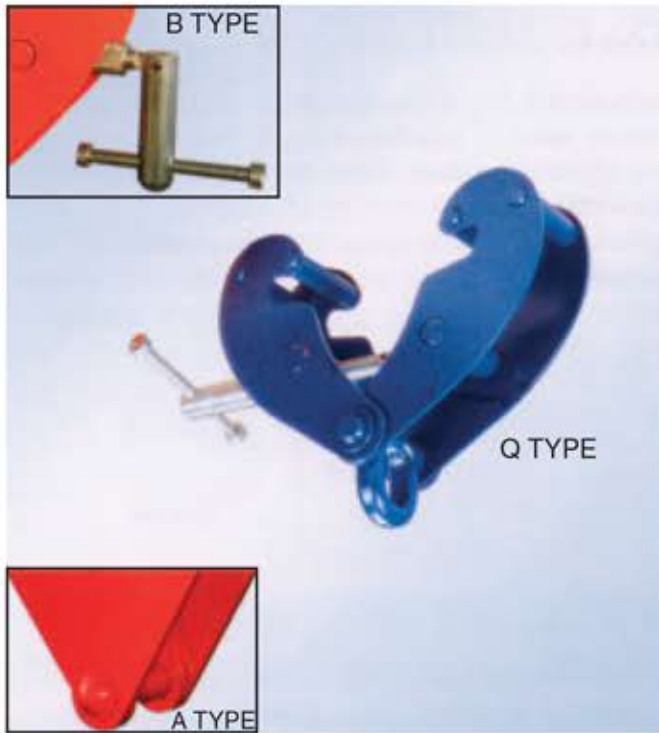




HOIST

BEAM CLAMP - Q TYPE, A TYPE, B, TYPE



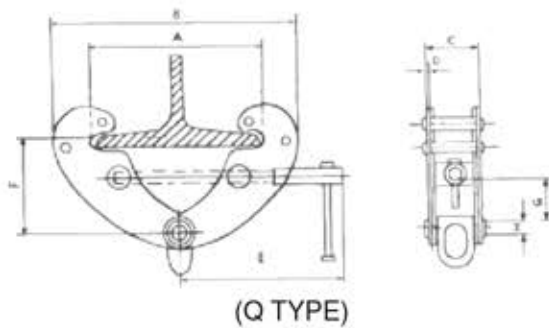
Capacities 1000 - 10000kg

The **HOIST** beam clamp is designed to provide quick and versatile rigging or hoisting points for a great variety of applications.

The threaded adjustment mechanism easily attaches to the beam flange to provide a safe and secure grip. In addition the threaded bar can be secured by means of a screw and a copper flat.

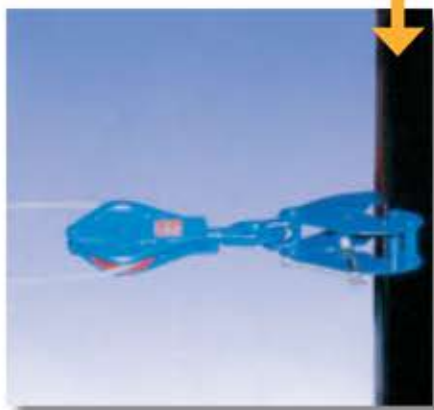
The **HOIST** beam clamp can either be permanently mounted or easily removed for use in different locations.

- Easy and simple mounting.
- Built - in suspension bar provides low headroom.
- Special clamp jaw design applies load away from the flange edge, thus reducing flang stress.
- Adjustable to fit a wide range of flange widths and beams.
- Safe and secure grip on the beam.
- Heavy duty construction.
- Every **HOIST** beam clamp is factory tested with overload.



ITEM NO	Safe Working Load kg	Adjustable Beam Width mm	A Max mm	B		C mm	D mm	E mm	F		G mm	H mm
				min mm	max mm				min mm	max mm		
01771	1000	70-245	270	183	375	66	4	210	165	102	25	20
01772	2000	70-245	270	183	375	74	6	210	165	102	25	20
01773	3000	70-355	365	240	520	103	8	258	225	135	45	22
01774	5000	70-355	365	240	520	111	10	258	225	135	45	28
01775	10000	80-350	365	250	520	120	12	280	230	160	50	38

Ringing anchor point
(vertical & horizontal)



Hoisting point

Test Lifting





UNIVERSAL - FOR LIFTING IN ANY DIRECTION

IPU10



Model IPU10

Universal vertical safety lifting clamp IPU10: suitable for the lifting, turning (180°) and vertical transfer of steel plates and constructions. The IPU10 lifting clamp is fitted with a locking device for both open and closed positions, which ensures complete safety. Fitted with a hinged hoisting eye moving in all directions so as to enable the user to place and lift the load from any direction. The IPU10 lifting clamps with a W.L.L. of 12 tonnes and up are fitted with a special hook-up facilities to enable easy fitment of the clamp in horizontal position.

For correct use of the clamp please consult fig. 1 and 2.
Higher W.L.L. and different jaw-apertures upon request.

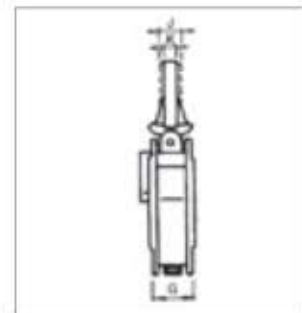
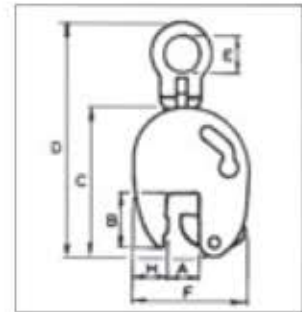


Model IPU10

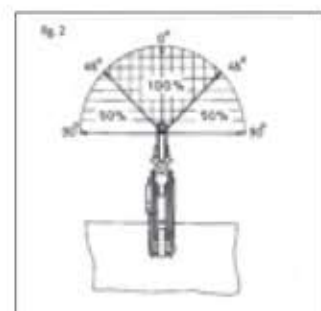
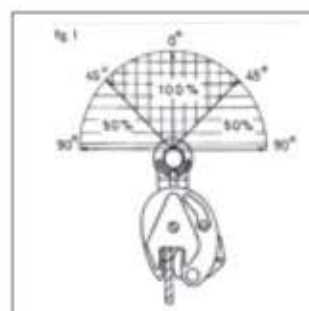
The new basic type IPU10 is an innovation based on the familiar 'IPUZ' lifting clamps. The new models have a larger jaw opening, which makes it possible to lift plates with very different thickness by using one and the same clamp.

Before using the clamp always read the instruction manual supplied with the clamp.

Model	Order No.	W.L.L. per pce in t.	Jaw	dimensions in mm										Weight per pce kgs
				A	B	C	D	E	F	G	H	J	K	
0,5	-IPU10	1675	0,5	0-16	44	128	228	30	115	41	28	-	10	1,9
1	-IPU10	1663	1,0	0-20	45	139	222	30	126	41	38	-	10	2,1
2	-IPU10	1677	2,0	0-35	78	201	372	70	190	61	55	-	16	7,6
3	-IPU10	1665	3,0	0-40	100	253	445	75	225	78	60	-	20	14,8
4,5	-IPU10	1667	4,5	0-40	100	253	445	75	232	82	65	-	20	16,0
6	-IPU10	1669	6,0	0-50	126	302	525	80	292	84	95	44	20	24,0
9	-IPU10	1671	9,0	0-50	126	325	557	80	321	92	105	44	20	29,5
9	-IPU10/J	1673	9,0	50-100	126	325	562	80	360	92	105	44	20	30,5
12	-IPU10	1679	12,0	0-54	160	391	623	80	331	117	137	41	25	57,0
12	-IPU10/J	1681	12,0	54-108	178	439	673	80	415	117	137	41	25	59,0
16	-IPU10	1683	16,0	5-64	178	465	734	88	397	119	153	45	25	72,0
16	-IPU10/J	1685	16,0	64-128	208	521	790	88	472	119	161	45	25	85,0
22,5	-IPU10	1687	22,5	5-80	222	554	855	110	470	136	186	49	25	127,0
22,5	-IPU10/J	1689	22,5	80-155	253	628	930	110	575	136	196	49	25	130,0
30	-IPU10	1691	30,0	5-80	222	545	860	110	470	152	186	54	30	153,0
30	-IPU10/J	1693	30,0	80-155	250	620	935	110	565	152	196	54	30	165,0



Spare parts for IPU10 safety lifting clamps:		Order No.
1.	body complete	1041
2.	universal hoisting eye complete	1215
3.	carriage complete	1214
4.	lock complete	1213
5.	spring for lock complete	1043
6.	carriage shaft complete	1046
7.	hoisting eye shaft complete	1047
10.	plate complete (round)	3098
10.	plate complete (rect)	3099



SAFETY & QUALITY - WORLDWIDE