

FLOOR HANDLING



Hydraulic
jack
"HYDROVIC"

Mechanical
jack
"MANUVIC"

Roller and
trolley skate
"TRANSVIC"



VICTORY[®]
international sa

HYDRAULIC JACK "HYDROVIC"

ADVANCED TECHNOLOGY

- Complete casted body 5T. and 10T.
- No draining trouble - Patented process.

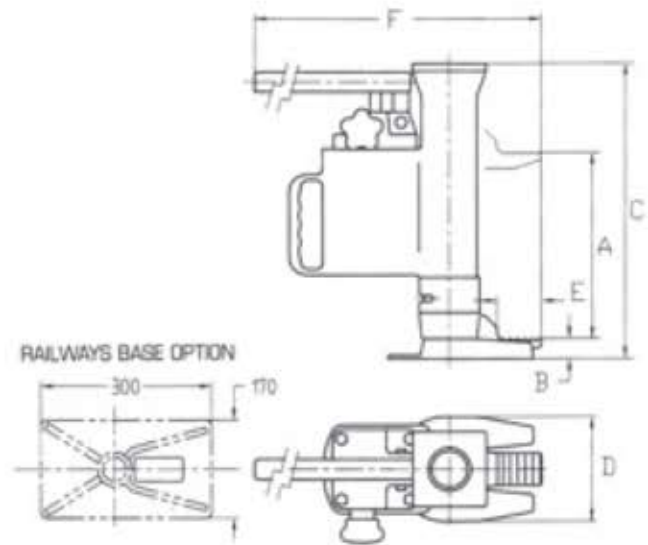
PRACTICAL

- Usable in any position.
- Picks up load at ground level.
- Full rotation of the toe at 360° through the body.
- Nominal capacity is on the toe. Increase capacity by 30% for lifting on the head.

SAFETY

- High stability. Special base for railways.
 - Instantaneous stop mechanism. Lowering speed control.
 - Overloading prevented by relief valve.
- In compliance with US standards : USA, ASME - ANSI B30.1.1986
- Seperate pump as option.

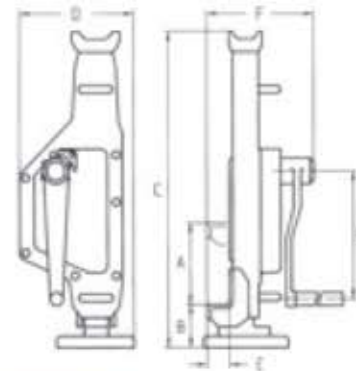
Capacity	Stress on lever (kg)	Weight (kg)	Max. lifting strength A(mm)	Picking up position height (mm)		Dimensions (mm)		
				At toe B	At top C	D	E	F
5T	38	20	206	25	368	130	55	547 / 627
10T	40	27.5	233	25	413	170	55	582 / 642
25T	40	92	233	54	470	270	90	930 / 1115



MECHANICAL JACK "MANUVIC"

Strongly built construction. Anti-slipping base. Easy lifting.
Safety : instantaneous stop mechanism at any level. Holding of the load with friction brake.

Capacity	Stress on lever (kg)	Weight (kg)	Max. lifting strength A(mm)	Picking up position height (mm)		Dimensions (mm)			
				At toe B(mm)	At top C(mm)	D	E	F	G
2.5T	38	14	345	80	750	141	55	195	250
5T	55	22	360	90	780	182	70	225	300
10T	54	38	320	100	790	245	80	290	300
16T	73	65	320	160	900	263	77	315	400
20T	80	90	300	150	960	294	73	330	400



ROLLER AND TROLLEY "TRANSVIC"

Modular and complete range

- Trolley skate (Turntable plate on ball bearing) makes simple the steering of heavy load.
- Roller skates can be linked with a bar if necessary.
- Rollers mounted with bearings.
- Skates can be coupled to increase capacity.
- Nylon rollers : non floor damaging.
- Optional : steel roller.

POSSIBLE CONFIGURATION ACCORDING TO CAPACITIES :

- Capacity 6 T = Trolley 40 R + 2 rollers 20-2
- Capacity 12 T = Trolley 60 R + 2 rollers 40-2
- Capacity 24 T = Trolley 120 R + 2 rollers 60-2

Capacity		Skate			Trolley		
		2	4	6	4	6	12
Loading plate	(cm ²)	234	470	700	270	920	920
Weight	(kg)	4.6	10.6	15.6	13.7	48.8	59.8
Dimensions (mm)	A	190	300	410			
	B	110	220	330			

