

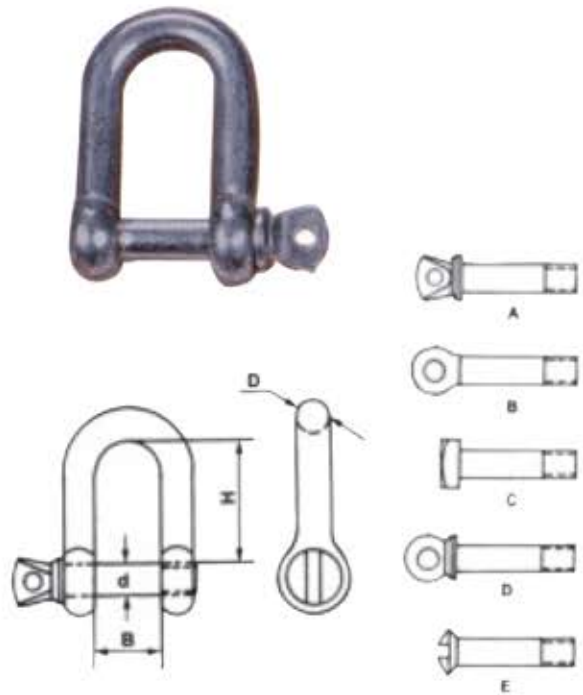


COMMERCIAL GALV. DEE SHACKLE

MATERIAL:

1. C15
2. C45
3. STAINLESS AVAILABLE

ITEM NO.	SIZE	D mm	d mm	B mm	H mm	SWL T
021001	4	4	4	8	14	-
021002	5	5	5	10	19	0.008
021003	6	6	6	12	24	0.01
021004	8	8	8	16	32	0.02
021005	10	10	10	20	40	0.032
021006	11	11	11	22	44	0.4
021007	12	12	12	25	48	0.52
021008	14	14	14	28	56	0.645
021009	16	16	16	32	64	0.8
021010	18	18	18	36	71	1
021011	20	19	20	44	76	1.1
021012	22	22	22	44	85	1.5
021013	25	25	24	50	95	2.1
021014	28	28	27	56	106	3
021015	32	32	33	64	120	3.5
021016	35	36	36	70	130	4
021017	38	38	39	76	145	5
021018	42	42	42	76	145	6
021019	45	45	45	80	155	7
021020	50	50	52	90	175	8

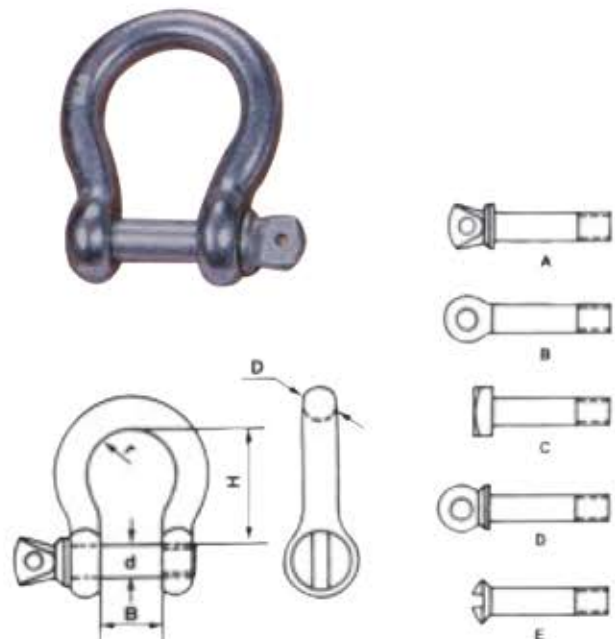


COMMERCIAL GALV. BOW SHACKLE

MATERIAL:

1. C15
2. C45
3. STAINLESS AVAILABLE

ITEM NOSIZE		D mm	d mm	B mm	H mm	2r mm	SWL T
021051	5	5	5	10	19.5	15	0.008
021052	6	6	6	12	24	18	0.1
021053	8	8	8	16	32	24	0.2
021054	10	10	10	20	40	30	0.32
021055	11	11	11	22	44.5	33	0.4
021056	12	12	12	25	49	36	0.52
021057	14	14	14	28	59	42	0.65
021058	16	16	16	32	64	48	0.8
021059	18	18	18	36	71	54	1
021060	20	19	20	38	80	60	1.1
021061	22	22	22	44	85	66	1.5
021062	25	25	24	50	100	75	2.1
021063	28	28	27	56	116	86	3
021064	32	32	33	64	129	96	3.5
021065	38	38	39	76	151	114	5





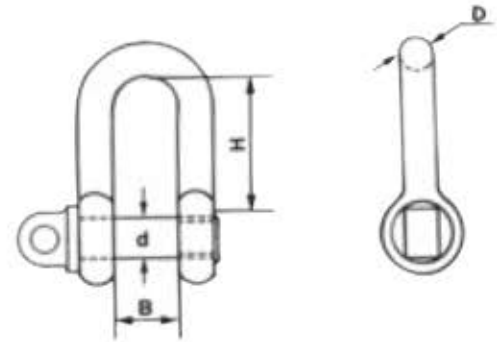
Rigging SHACKLE

LARGE DEE SHACKLE BS3032

MATERIAL:

1. C15
2. C45

ITEM NO.	SIZE	D mm	d	B mm	H mm	SWL T
021351	1/4"	6	3/8"	12	25	0.25
021352	3/8"	10	1/2"	20	37	0.5
021353	1/2"	13	5/8"	28.5	54	0.75
021354	5/8"	16	3/4"	32	63	1.5
021355	3/4"	20	7/8"	38	73	2
021356	7/8"	22	1"	44	82	3
021357	1"	25	1-1/8"	51	95	3.75
021358	1-1/8"	28	1-1/4"	54	104	5
021359	1-1/4"	32	1-3/8"	60	114	6
021360	1-3/8"	35	1-1/2"	66	127	7
021361	1-1/2"	38	1-3/4"	70	137	9.5

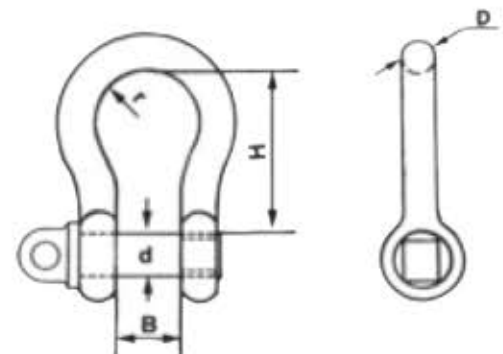


LARGE BOW SHACKLE BS3032

MATERIAL:

1. C15
2. C45

ITEM NOSIZE	D mm	d mm	B mm	H mm	2r mm	SWL T
0214011/4"	6	3/8"	13	29	19	0.15
0214023/8"	10	1/2"	16	41	25	0.45
0214031/2"	13	5/8"	22	54	32	0.75
0214045/8"	16	3/4"	29	70	41	1.25
0214053/4"	20	7/8"	35	86	51	2
0214067/8"	22	1"	41	98	57	2.75
0214071"	25	1-1/8"	44	108	64	3.75
0214081-1/8"	28	1-1/4"	51	124	73	4.75
0214091-1/4"	32	1-1/2"	57	137	83	5.75
0214101-1/2"	38	1-3/4"	70	168	98	8.5
0214111-3/4"	45	2"	86	206	121	11.5
0214122"	50	2-1/4"	98	238	140	15



US TYPE HIGH TENSILE FORGED SHACKLE

SCREW PIN



G-209 S-209

SCREW PIN
SQUARE HEAD

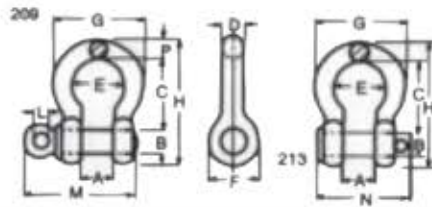


ROUND PIN



G-213 S-213

Screw pin anchor shackles meet the requirements of Federal Specification RR-C271D Type IVA. Grade A. Class 2.



Round pin anchor shackles meet the requirements of Federal Specification RR-C-271D Type IVA. Grade A. Class 2.

ITEM NO	Nominal Size (in.)	Working Load Limit (tons)	Dimensions (in.)												Weight Each (lbs.)	
			A	B	C	D	E	F	G	H	L	M	N	P	G-209 S-209	G-213 S-213
021151	3/16	1/3	.38	.25	.88	.19	.60	.56	.98	1.47	.16	1.12	-	.19	.05	-
021152	1/4	1/2	.47	.31	1.13	.25	.78	.61	1.28	1.84	.19	1.38	1.34	.25	.12	.13
021153	5/16	3/4	.53	.38	1.22	.31	.84	.75	1.47	2.09	.22	1.66	1.59	.31	.19	.17
021154	3/8	1	.66	.44	1.44	.38	1.03	.91	1.78	2.49	.25	2.03	1.86	.38	.31	.25
021155	7/16	1-1/2	.75	.50	1.69	.44	1.16	1.06	2.03	2.91	.31	2.38	2.13	.44	.38	.38
021156	1/2	2	.81	.63	1.88	.50	1.31	1.19	2.31	3.28	.38	2.69	2.38	.50	.63	.70
021157	5/8	3-1/4	1.06	.75	2.38	.63	1.69	1.50	2.94	4.19	.44	3.34	2.91	.69	1.38	1.50
021158	3/4	4-3/4	1.25	.88	2.81	.75	2.00	1.81	3.50	4.97	.50	3.97	3.44	.81	2.25	2.32
021159	7/8	6-1/2	1.44	1.00	3.31	.88	2.28	2.09	4.03	5.83	.50	4.50	3.81	.97	3.38	3.40
021160	1	8-1/2	1.69	1.13	3.75	1.00	2.69	2.38	4.69	6.56	.56	5.07	4.53	1.06	5.32	5.00
021161	1-1/8	9-1/2	1.81	1.25	4.25	1.16	2.91	2.69	5.16	7.47	.63	5.59	5.13	1.25	6.81	6.97
021162	1-1/4	12	2.03	1.38	4.69	1.29	3.25	3.00	5.75	8.25	.69	6.16	5.50	1.38	9.50	9.75
021163	1-3/8	13-1/2	2.25	1.50	5.25	1.42	3.63	3.31	6.38	9.16	.75	6.84	6.13	1.50	13.25	13.25
021164	1-1/2	17	2.38	1.63	5.75	1.54	3.88	3.63	6.88	10.00	.81	7.35	6.50	1.62	17.20	17.25
021165	1-3/4	25	2.88	2.00	7.00	1.84	5.00	4.19	8.86	12.34	1.00	9.08	7.75	2.25	30.38	29.46
021166	2	35	3.25	2.25	7.75	2.08	5.75	4.81	9.97	13.68	1.22	10.34	8.75	2.40	45.00	45.75
021167	2-1/2	55	4.13	2.75	10.50	2.71	7.25	5.69	12.87	17.84	1.38	13.00	-	3.13	85.75	-
021168	3	85	5.00	3.25	13.00	3.00	7.88	6.50	14.36	21.50	1.45	14.57	-	3.62	104.7	-

Note: *Drop Forged. Quenched and Tempered. With Alloy Pins

* Max Proof Load is 2.2 Times the Working Load Limit, Min Break Strength is 6 Times the WLL