

FLOOR HANDLING



Hydraulic
jack
"HYDROVIC"

Mechanical
jack
"MANUVIC"

Roller and
trolley skate
"TRANSVIC"

SINCE 1985
**Crane
& Care**
LIFTING SERVICES

HYDRAULIC JACK "HYDROVIC"

ADVANCED TECHNOLOGY

- Complete casted body 5T. and 10T.
- No draining trouble - Patented process.

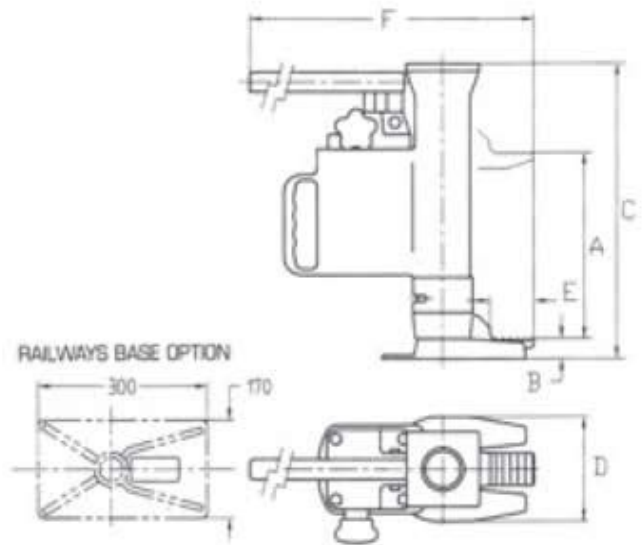
PRACTICAL

- Usable in any position.
- Picks up load at ground level.
- Full rotation of the toe at 360° through the body.
- Nominal capacity is on the toe. Increase capacity by 30% for lifting on the head.

SAFETY

- High stability. Special base for railways.
 - Instantaneous stop mechanism. Lowering speed control.
 - Overloading prevented by relief valve.
- In compliance with US standards : USA, ASME - ANSI B30.1.1986
- Seperate pump as option.

| Capacity | Stress on lever (kg) | Weight (kg) | Max. lifting strength A(mm) | Picking up position height (mm) | | Dimensions (mm) | | |
|----------|----------------------|-------------|-----------------------------|---------------------------------|----------|-----------------|----|------------|
| | | | | At toe B | At top C | D | E | F |
| 5T | 38 | 20 | 206 | 25 | 368 | 130 | 55 | 547 / 627 |
| 10T | 40 | 27.5 | 233 | 25 | 413 | 170 | 55 | 582 / 642 |
| 25T | 40 | 92 | 233 | 54 | 470 | 270 | 90 | 930 / 1115 |

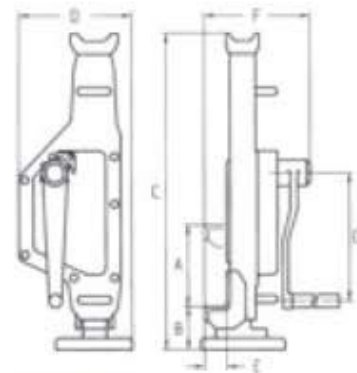


MECHANICAL JACK "MANUVIC"

Strongly built construction. Anti-slipping base. Easy lifting.

Safety : instantaneous stop mechanism at any level. Holding of the load with friction brake.

| Capacity | Stress on lever (kg) | Weight (kg) | Max. lifting strength A(mm) | Picking up position height (mm) | | | Dimensions (mm) | | |
|----------|----------------------|-------------|-----------------------------|---------------------------------|--------------|-----|-----------------|-----|-----|
| | | | | At toe B(mm) | At top C(mm) | D | E | F | G |
| 2.5T | 38 | 14 | 345 | 80 | 750 | 141 | 55 | 195 | 250 |
| 5T | 55 | 22 | 360 | 90 | 780 | 182 | 70 | 225 | 300 |
| 10T | 54 | 38 | 320 | 100 | 790 | 245 | 80 | 290 | 300 |
| 16T | 73 | 65 | 320 | 160 | 900 | 263 | 77 | 315 | 400 |
| 20T | 80 | 90 | 300 | 150 | 960 | 294 | 73 | 330 | 400 |



ROLLER AND TROLLEY "TRANSVIC"

Modular and complete range

- Trolley skate (Turntable plate on ball bearing) makes simple the steering of heavy load.
- Roller skates can be linked with a bar if necessary.
- Rollers mounted with bearings.
- Skates can be coupled to increase capacity.
- Nylon rollers : non floor damaging.
- Optional : steel roller.

POSSIBLE CONFIGURATION ACCORDING TO CAPACITIES :

- Capacity 6 T = Trolley 40 R + 2 rollers 20-2
- Capacity 12 T = Trolley 60 R + 2 rollers 40-2
- Capacity 24 T = Trolley 120 R + 2 rollers 60-2

| Capacity | (t) | Skate | | | Trolley | | |
|-----------------|--------------------|-------|------|------|---------|------|------|
| | | 2 | 4 | 6 | 4 | 6 | 12 |
| Loading plate | (cm ²) | 234 | 470 | 700 | 270 | 920 | 920 |
| Weight | (kg) | 4.6 | 10.6 | 15.6 | 13.7 | 48.8 | 59.8 |
| Dimensions (mm) | A | 190 | 300 | 410 | | | |
| | B | 110 | 220 | 330 | | | |

